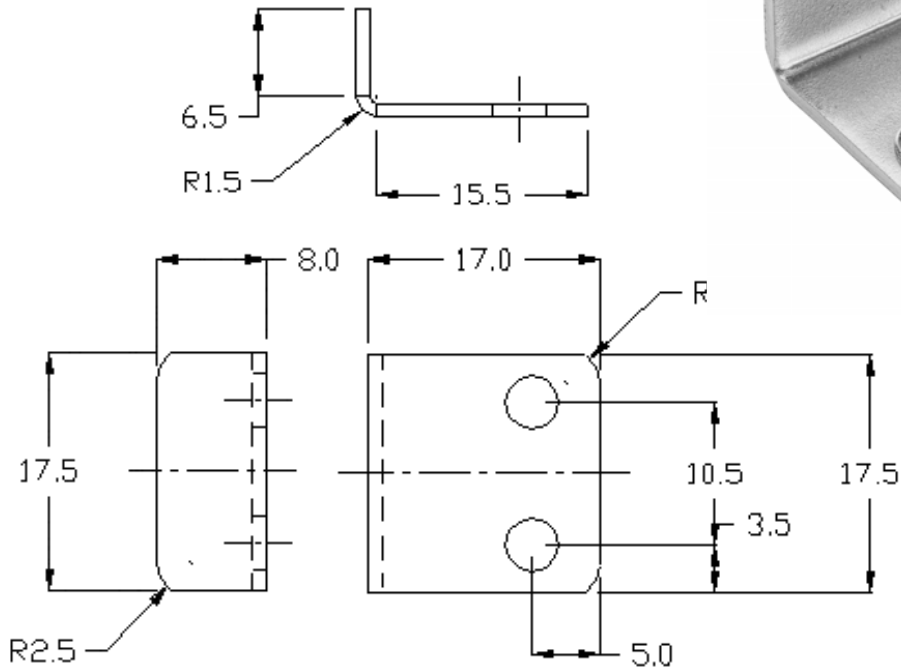


FD PRODUCTS

2HMCLIP - 01



MATERIAL THICKNESS: 1.0mm

A = 16.5mm

B = 25mm

C = 9mm

D = 10.5mm

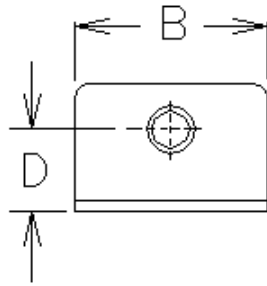
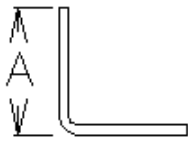
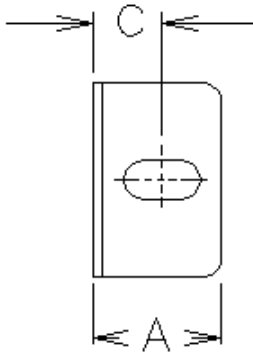
1 Hole 4.5mm

1 Slot 10 x 5mm

PART NUMBER	DESCRIPTION	TYPE OF FINISH
2HMCLIP - 01-NK	Two Hole Mini Clip	Nickel Plated
2HMCLIP - 01-ZN	Two Hole Mini Clip	Zinc Plated
2HMCLIP - 01-SC	Two Hole Mini Clip	Self Colour
	Other finishes available upon request	

FD PRODUCTS

ANGLE BRACKET HORIZONTAL SLOT



MATERIAL THICKNESS: 1.2mm

A = 16.5mm

B = 25mm

C = 9mm

D = 10.5mm

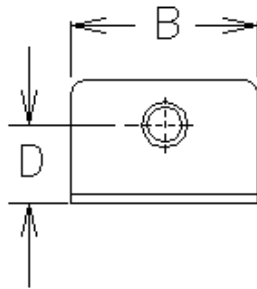
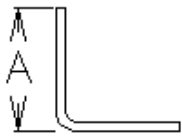
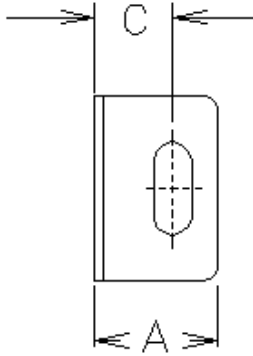
1 Hole 4.5mm

1 Slot 10 x 5mm

PART NUMBER	DESCRIPTION	TYPE OF FINISH
ABRK-01-H-NK	Angle Bracket horizontal slot	Nickel Plated
ABRK-01-H-ZN	Angle Bracket horizontal slot	Zinc Plated
ABRK-01-H-SC	Angle Bracket horizontal slot	Self Colour
	Other finishes available upon request	

FD PRODUCTS

ANGLE BRACKET VERTICAL SLOT



MATERIAL THICKNESS: 1.2mm

A = 16.5mm

B = 25mm

C = 9mm

D = 10.5mm

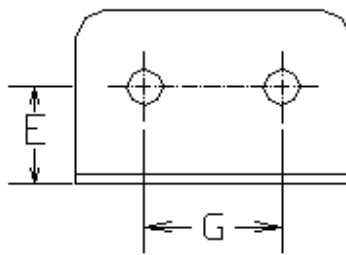
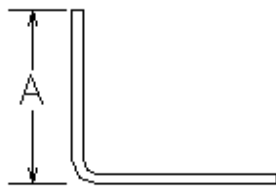
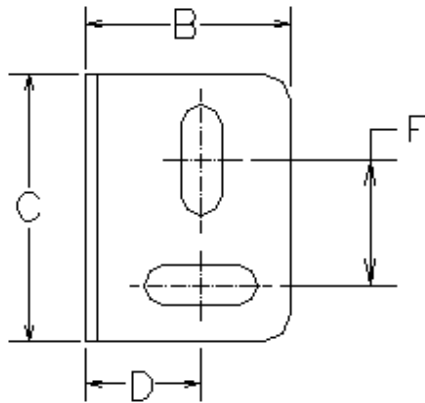
1 Hole 4.5mm

1 Slot 12.5 x 5mm

PART NUMBER	DESCRIPTION	TYPE OF FINISH
ABRK-01-V-NK	Angle Bracket Vertical slot	Nickel Plated
ABRK-01-V-ZN	Angle Bracket Vertical slot	Zinc Plated
ABRK-01-V-SC	Angle Bracket Vertical I slot	Self Colour
	Other finishes available upon request	

FD PRODUCTS

ANGLE SHRINKAGE PLATE



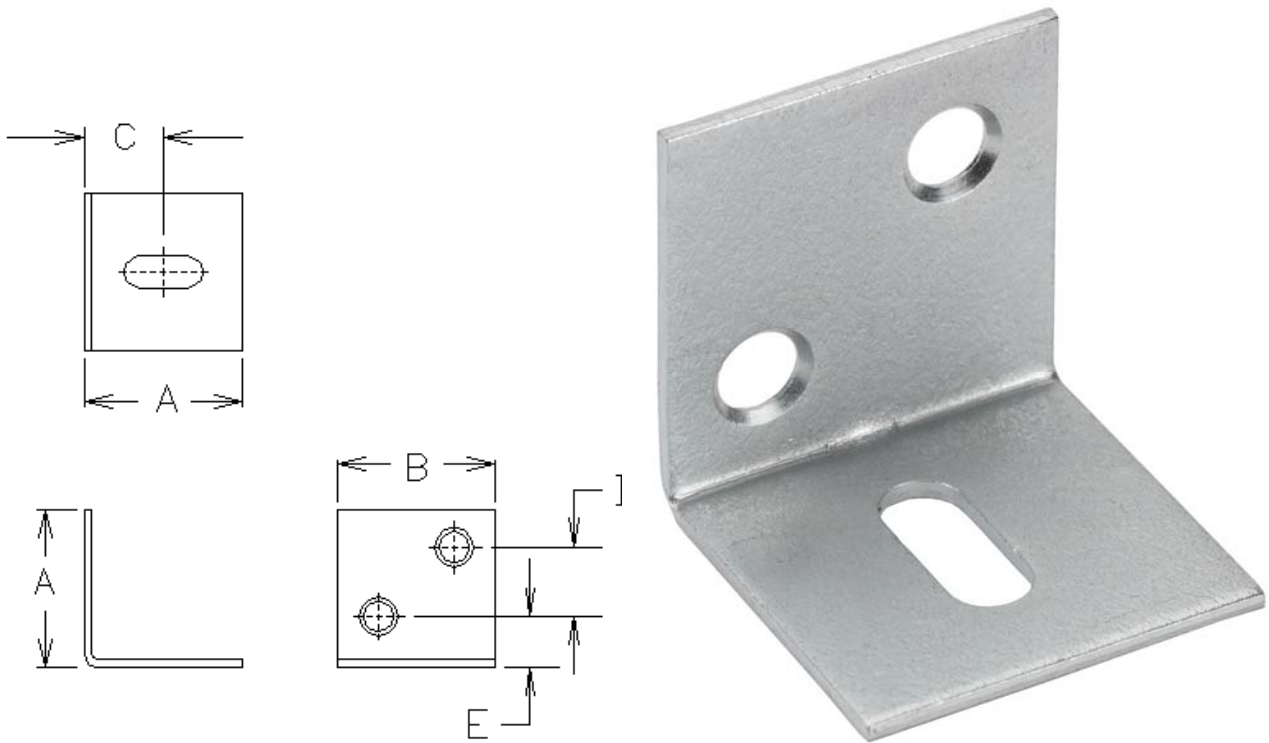
MATERIAL THICKNESS: 1.5mm

A = 25mm B = 28.5mm C = 38mm D = 14mm F = 17.7mm G = 19mm

2 Holes 5mm 2 Slots 16 x 5.6mm

PART NUMBER	DESCRIPTION	TYPE OF FINISH
ASPLT-01-1.5-NK	Angle Shrinkage Plate	Nickel Plated
ASPLT-01-1.5-ZN	Angle Shrinkage Plate	Zinc Plated
ASPLT-01-1.5-SC	Angle Shrinkage Plate	Self Colour
	Other finishes available upon request	

ANGLE SHRINKAGE PLATE



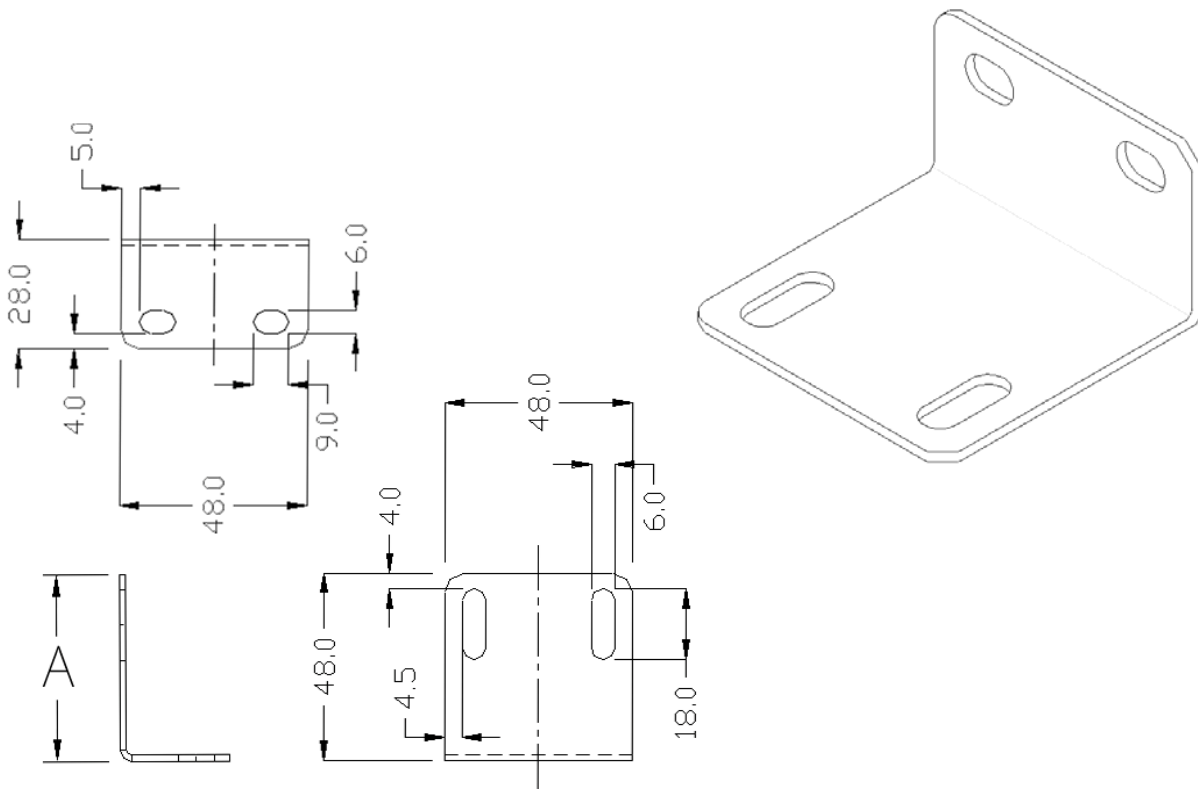
MATERIAL THICKNESS: 1.2mm

A = 25mm B = 25mm C = 12.5mm D = 11mm E = 8mm

2 Holes 5mm CSK 1 Slot 12.5 x 5mm

PART NUMBER	DESCRIPTION	TYPE OF FINISH
ASPLT-02-1.2-GV	Stretcher Bracket – Small Shrinkage Plate	Galvanised
ASPLT-02-1.2-ZN	Stretcher Bracket – Small Shrinkage Plate	Zinc Plated
ASPLT-02-1.2-SC	Stretcher Bracket – Small Shrinkage Plate	Self Colour
	Other finishes available upon request	

ANGLE SHRINKAGE PLATE



MATERIAL THICKNESS: 1.6mm

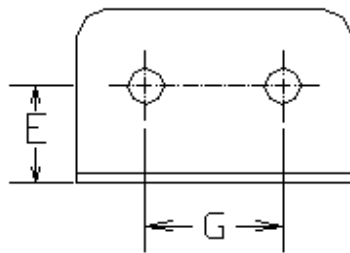
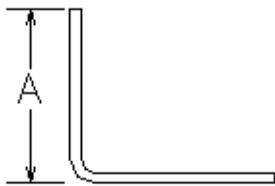
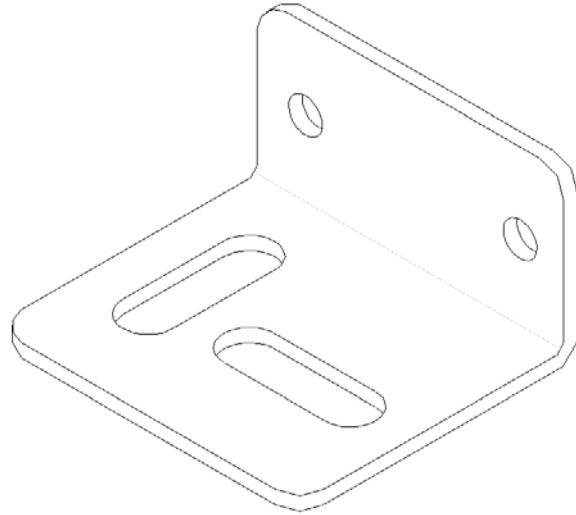
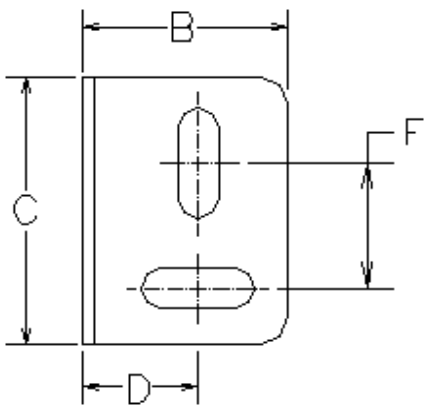
A = 48mm

2 Holes 5mm

2 Slots 16 x 5.6mm

PART NUMBER	DESCRIPTION	TYPE OF FINISH
ASPLT-05..6-NK	Angle Shrinkage Plate	Nickel Plated
ASPLT-05-2HLS - ZN	Angle Shrinkage Plate	Zinc Plated
ASPLT-05-2HLS - ZN	Angle Shrinkage Plate	Self Colour

ANGLE SHRINKAGE PLATE



MATERIAL THICKNESS: 1.2mm

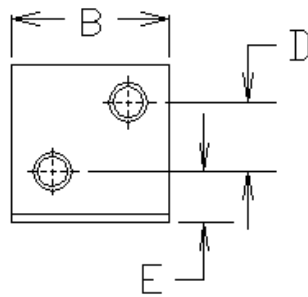
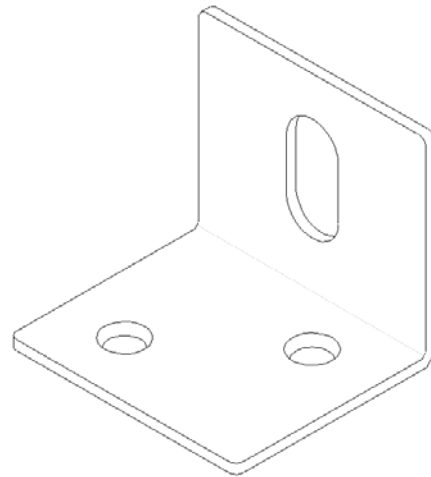
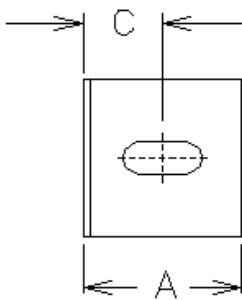
A = 20mm B = 33mm C = 36.5mm D = 11mm F = 13.25mm G = 25.5mm

2 Holes 5mm 2 Slots 18 x 6mm

PART NUMBER	DESCRIPTION	TYPE OF FINISH
ASPLT-04-1.2-NK	Angle Shrinkage Plate	Nickel Plated
ASPLT-04-1.2-ZN	Angle Shrinkage Plate	Zinc Plated
ASPLT-04-1.2-SC	Angle Shrinkage Plate	Self Colour
	Other finishes available upon request	

FD PRODUCTS

ANGLE SHRINKAGE PLATE



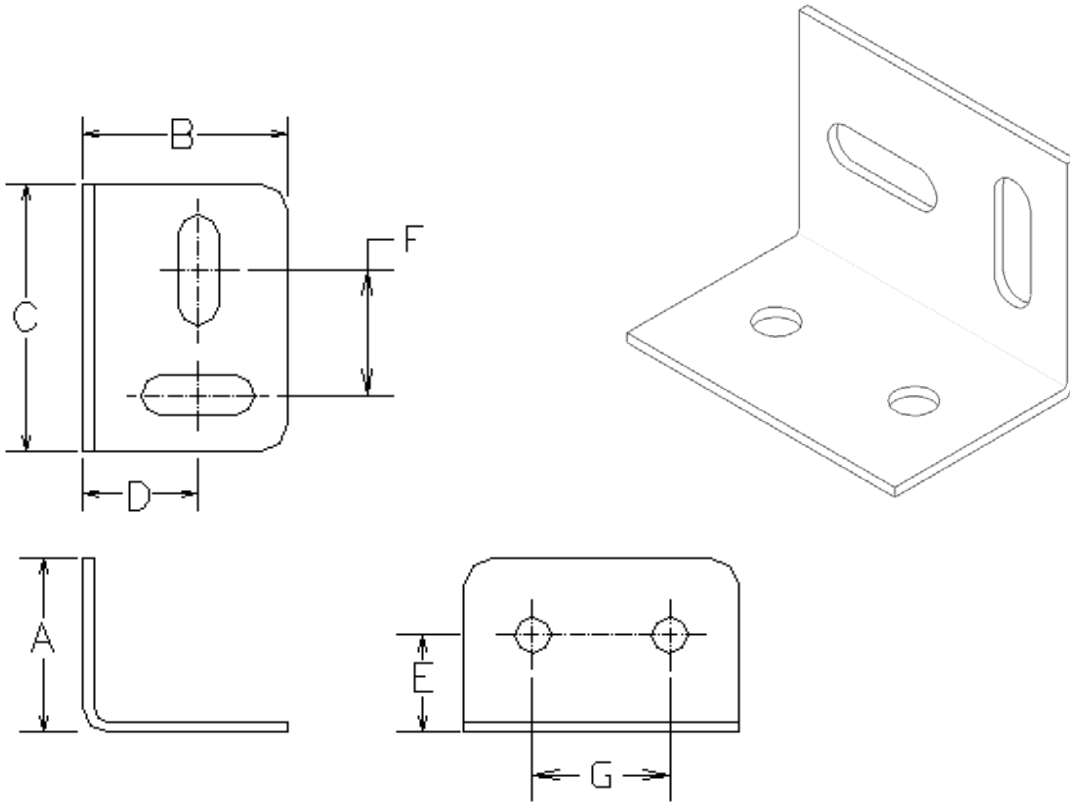
MATERIAL THICKNESS: 1.2mm

A = 25mm B = 28.5mm C = 11.5mm D = 7.5mm E = 8mm

2 Holes 5mm 1 Slot 13 x 5.6mm

PART NUMBER	DESCRIPTION	TYPE OF FINISH
ASPLT-05-2HLS-NK	Angle Shrinkage Plate	Nickel Plated
ASPLT-05-2HLS-ZN	Angle Shrinkage Plate	Zinc Plated
ASPLT-01-2HLS-SC	Angle Shrinkage Plate	Self Colour
	Other finishes available upon request	

ANGLE SHRINKAGE PLATE



MATERIAL THICKNESS: 1.2mm

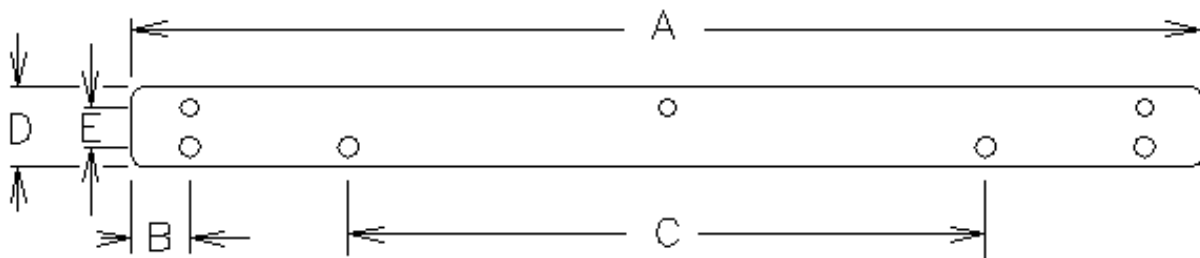
A = 25mm B = 25mm C = 32mm D = 14mm F = 14mm G = 16mm

2 Holes 5mm 2 Slots 16 x 5.6mm

PART NUMBER	DESCRIPTION	TYPE OF FINISH
ASPLT-06-1.2-NK	Angle Shrinkage Plate	Nickel Plated
ASPLT-06-1.2-ZN	Angle Shrinkage Plate	Zinc Plated
ASPLT-06-1.2-SC	Angle Shrinkage Plate	Self Colour
	Other finishes available upon request	

FD PRODUCTS

BRACE PLATE



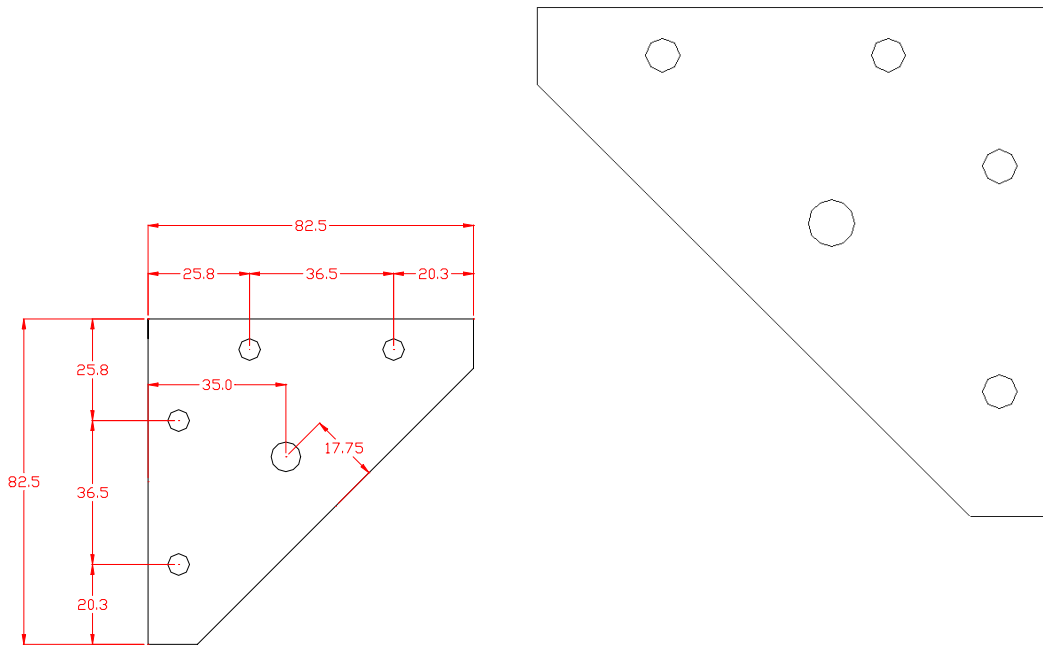
MATERIAL THICKNESS: 0.7mm or 1.0mm

A = 430mm B = 23mm C = 256mm D = 32mm E = 16mm

3 Holes = 7mm \varnothing 4 Holes = 8.5mm \varnothing

PART NUMBER	DESCRIPTION	TYPE OF FINISH
BPLT-01-0.7-GV	Brace Plate	Galvanised
BPLT-01-0.7-ZN	Brace Plate	Zinc Plated
BPLT-01-0.7-SC	Brace Plate	Self Colour
	Other finishes available upon request	

CORNER BRACKET

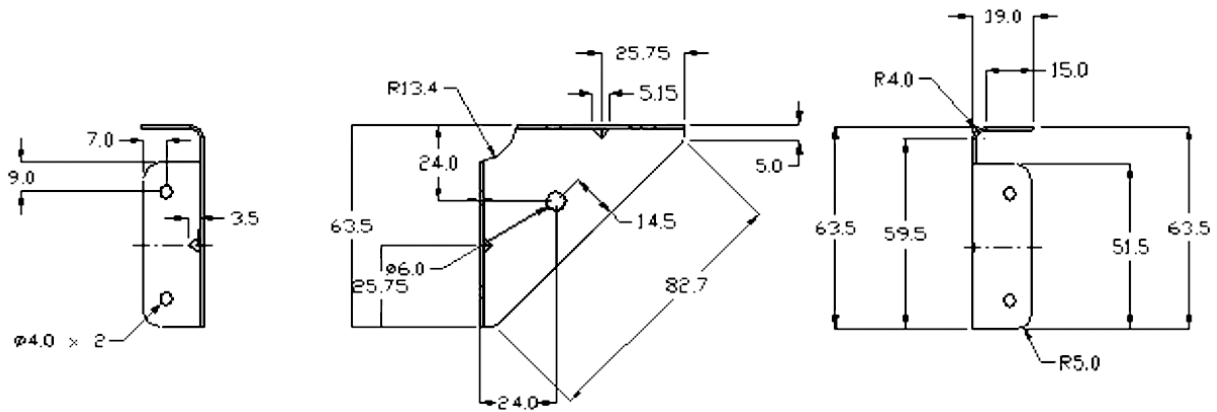


MATERIAL THICKNESS: 1.2mm

PART NUMBER	DESCRIPTION	TYPE OF FINISH
CBR - 01-NK	Corner Bracket	Nickel Plated
CBR - 01-ZN	Corner Bracket	Zinc Plated
CBR - 01-SC	Corner Bracket	Self Colour
	Other finishes available upon request	

FD PRODUCTS

CORNER GUSSET

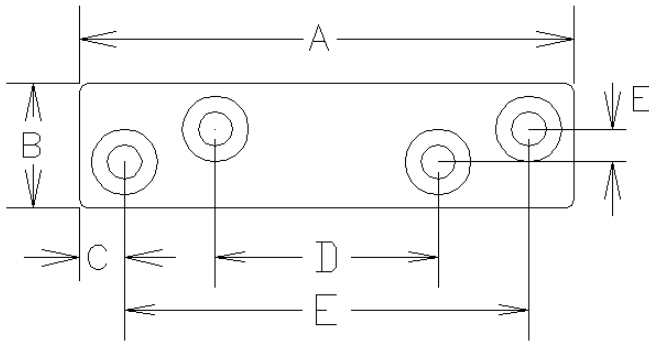


MATERIAL THICKNESS: 1.2mm

PART NUMBER	DESCRIPTION	TYPE OF FINISH
CGL-01-NK	Corner Gusset	Nickel Plated
CGL-01-ZN	Corner Gusset	Zinc Plated
CGL-01-SC	Corner Gusset	Self Colour
	Other finishes available upon request	

FD PRODUCTS

CONNECTING PLATE



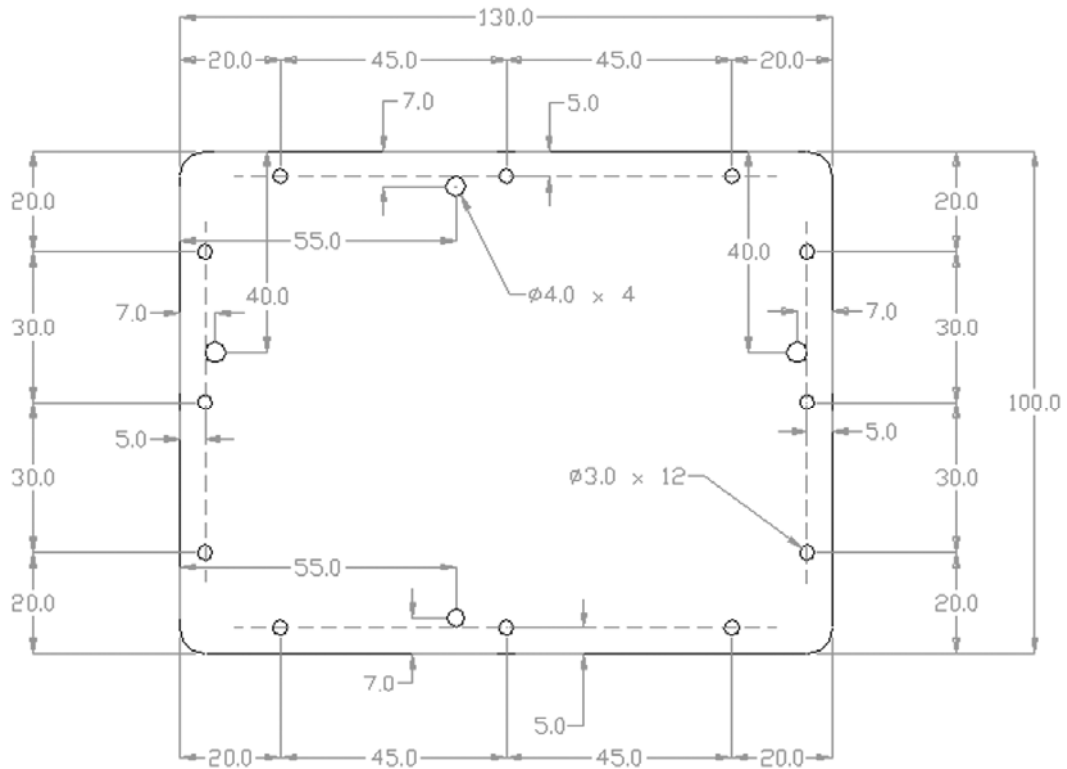
MATERIAL THICKNESS: 2mm

A = 60mm B = 15mm C = 5.5mm D = 27mm E = 49mm

4 Holes = 4.2mmØ CSK

PART NUMBER	DESCRIPTION	TYPE OF FINISH
CPL-01-2.0-SC	Connecting Plate	Self Coloured
CPL-01-2.0-NK	Connecting Plate	Nickel Plated
	Other finishes available upon request	

FEP -01 PLATE

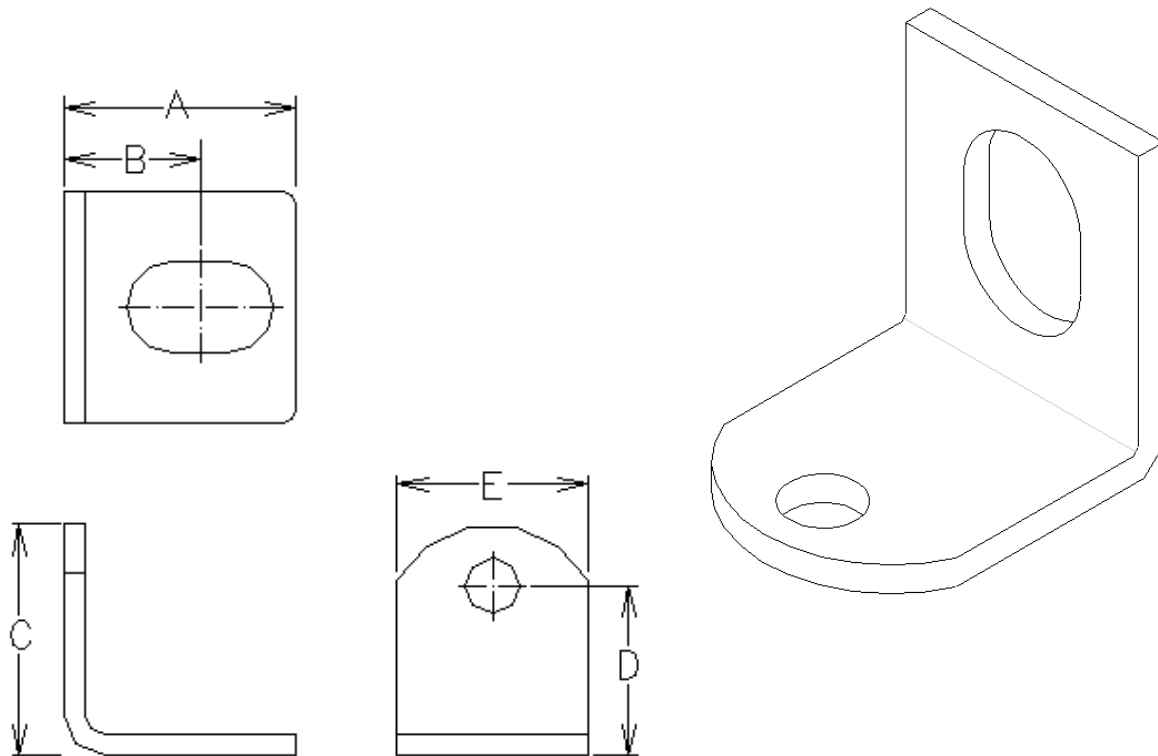


MATERIAL THICKNESS: 1.2mm

PART NUMBER	DESCRIPTION	TYPE OF FINISH
FEP-01-130x100-NK	FEP -01 PLATE	Nickel Plated
FEP-01-130x100-ZN	FEP -01 PLATE	Zinc Plated
FEP-01-130x100-SC	FEP -01 PLATE	Self Colour
	Other finishes available upon request	

FD PRODUCTS

EXTRA SMALL RIGHT ANGLE / FRAME FIXING BRACKET



MATERIAL THICKNESS: 1.5mm

A = 17mm B = 10mm C = 17mm D = 12.5mm E = 14mm

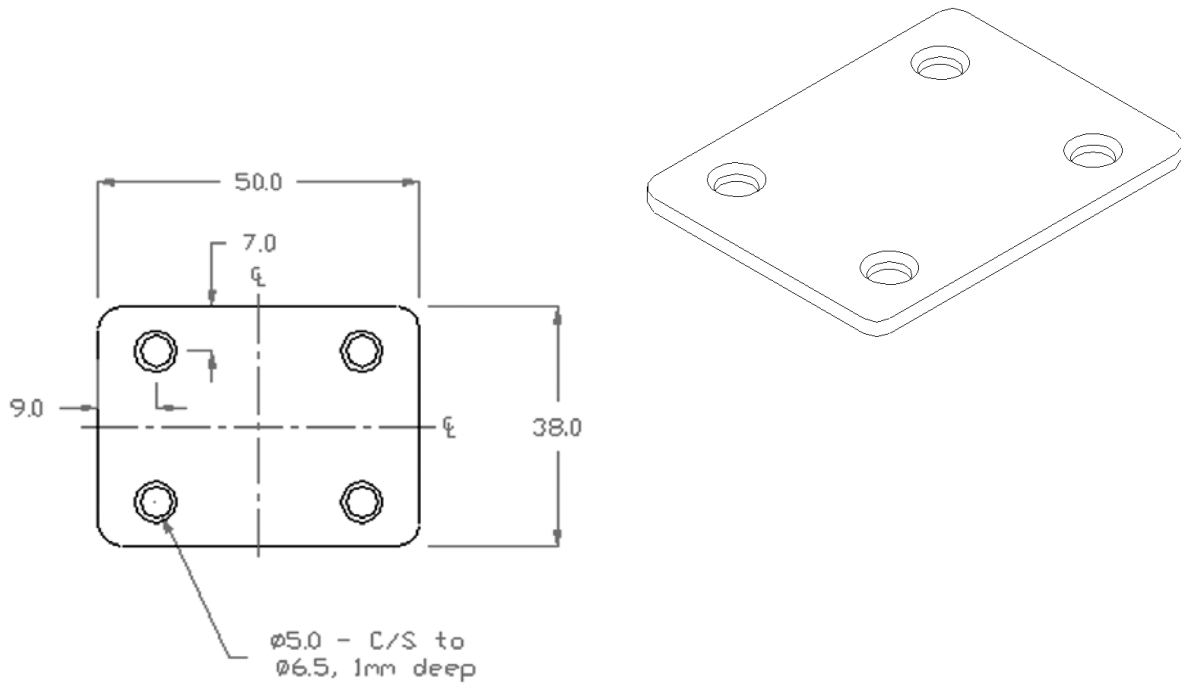
1 Hole 4mm \varnothing

1 Slot 10.5mm x 6.8mm

PART NUMBER	DESCRIPTION	TYPE OF FINISH
FFBRK-01-NK	Extra Small Right Angle Bracket	Nickel Plated
FFBRK-01-ZN	Extra Small Right Angle Bracket	Zinc Plated
FFBRK-01-SC	Extra Small Right Angle Bracket	Self Colour
	Other finishes available upon request	

FD PRODUCTS

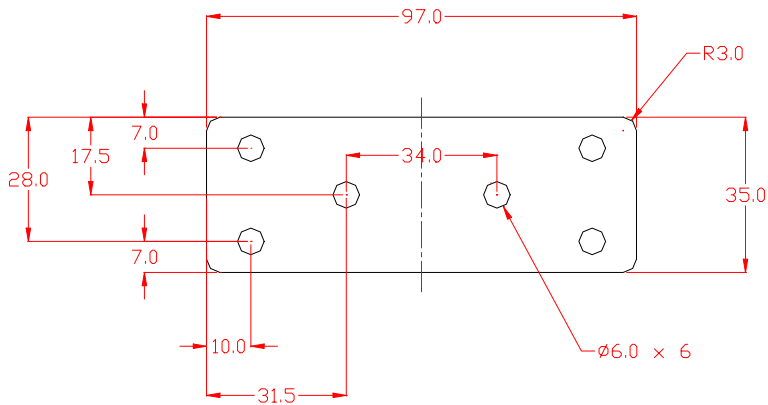
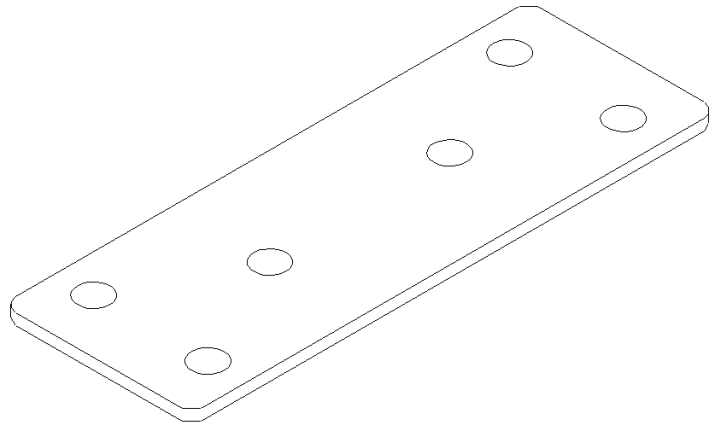
JOINTING PLATE



MATERIAL THICKNESS: 2mm

PART NUMBER	DESCRIPTION	TYPE OF FINISH
JPLT-02-2.0-NK	Jointing Plate 50mm x 38mm	Nickel Plated
JPLT-02-2.0-ZN	Jointing Plate 50mm x 38mm	Zinc Plated
JPLT-02-2.0-SC	Jointing Plate 50mm x 38mm	Self Colour
	Other finishes available upon request	

JOINTING PLATE

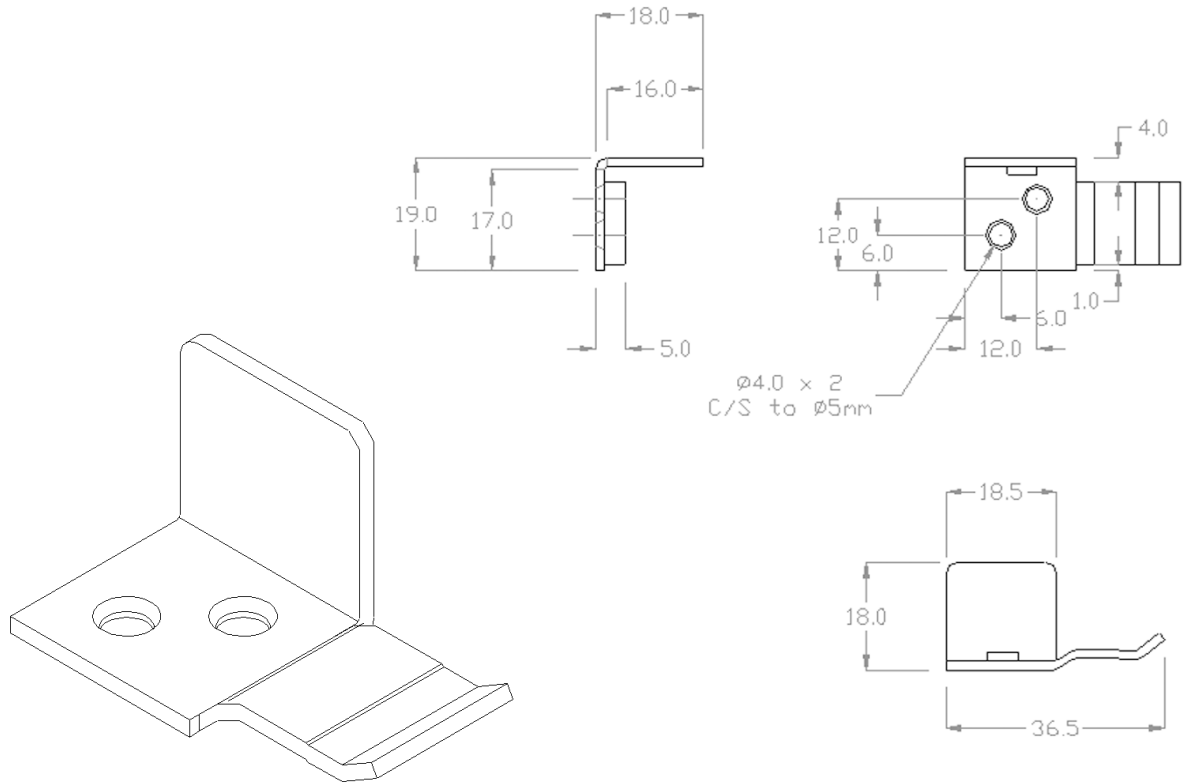


MATERIAL THICKNESS: 2mm

PART NUMBER	DESCRIPTION	TYPE OF FINISH
JPLT-01-NK	Jointing Plate 97 x 35	Nickel Plated
JPLT-01-ZN	Jointing Plate 97 x 35	Zinc Plated
JPLT-01-SC	Jointing Plate 97 x 35	Self Colour
	Other finishes available upon request	

FD PRODUCTS

KDLH – 01 LEFT HANDED BRACKET

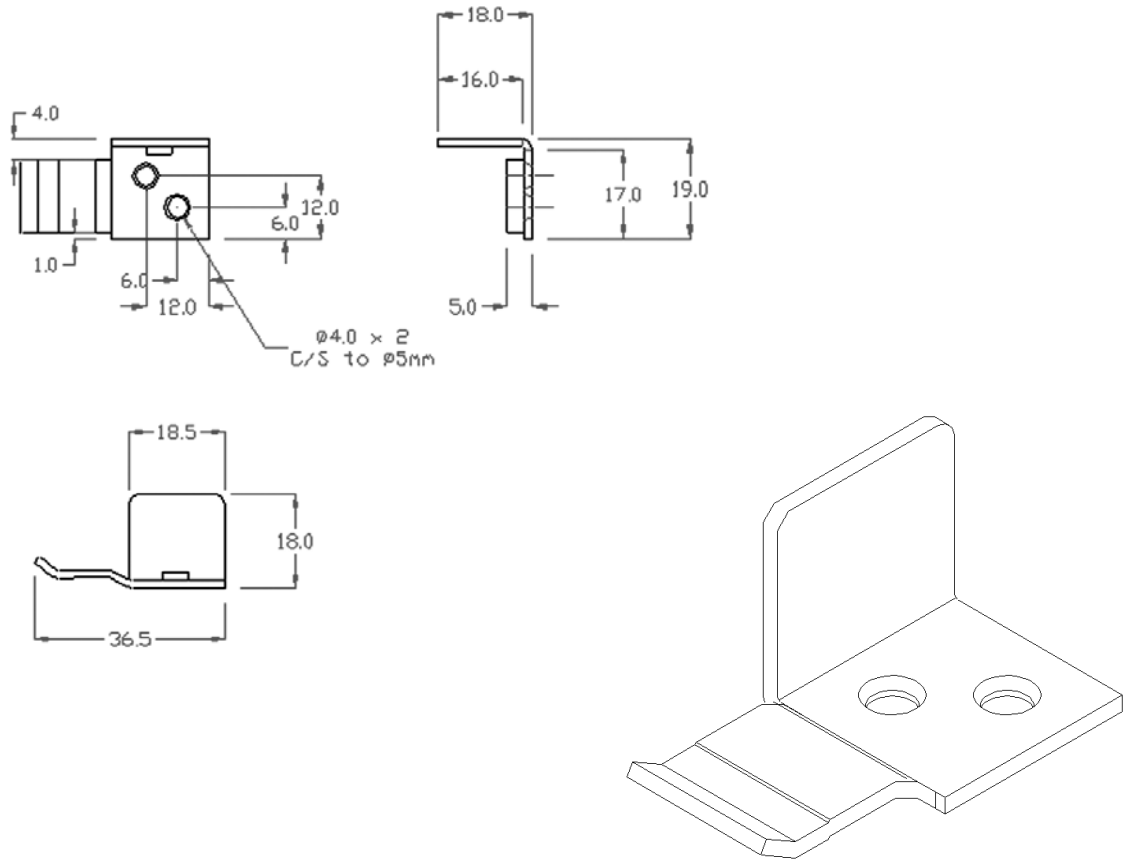


MATERIAL THICKNESS: 1.2mm

PART NUMBER	DESCRIPTION	TYPE OF FINISH
KDLH-01-NK	Left Handed Bracket	Nickel Plated
KDLH-01-ZN	Left Handed Bracket	Zinc Plated
KDLH-01-SC	Left Handed Bracket	Self Colour
	Other finishes available upon request	

FD PRODUCTS

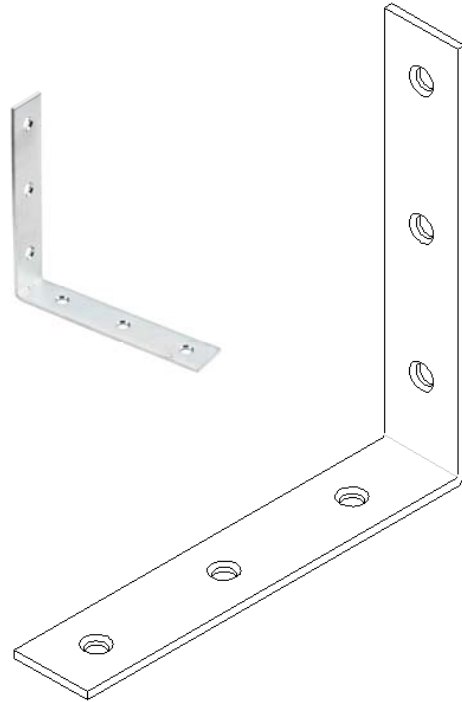
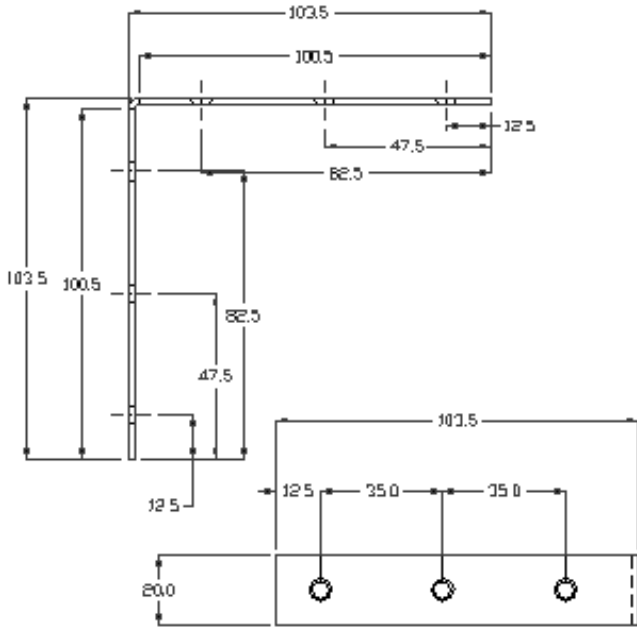
KDRH -01 RIGHT HANDED BRACKET



MATERIAL THICKNESS: 1.2mm

PART NUMBER	DESCRIPTION	TYPE OF FINISH
KDRH-01-NK	Right Handed Bracket	Nickel Plated
KDRH-01-ZN	Right Handed Bracket	Zinc Plated
KDRH-01-SC	Right Handed Bracket	Self Colour
	Other finishes available upon request	

L100 Bracket

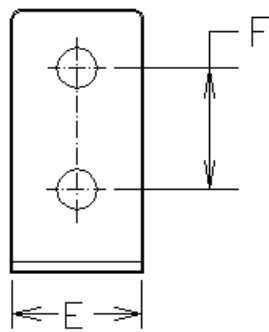
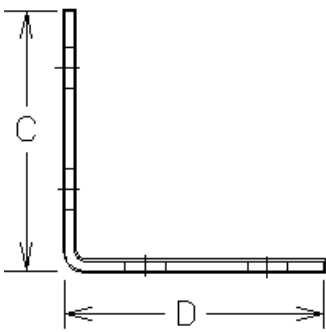
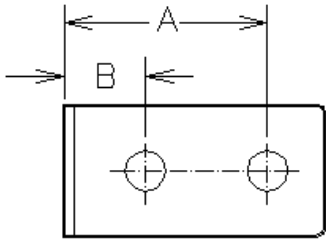


MATERIAL THICKNESS: 1.2mm

6 Holes 5mmØ

PART NUMBER	DESCRIPTION	TYPE OF FINISH
L100BRK -01-1.2-SC	L100 Bracket	Self Colour
L100BRK -01-1.2-GV	L100 Bracket	Galvanised
L100BRK -01-1.2-ZN	L100 Bracket	Zinc Plated
	Other finishes available upon request	

L32 Bracket



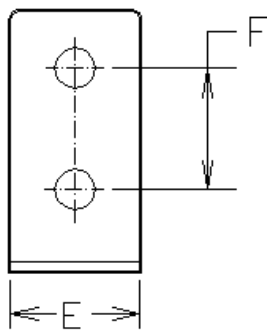
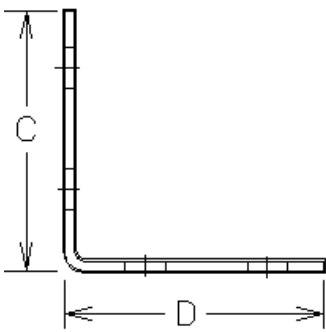
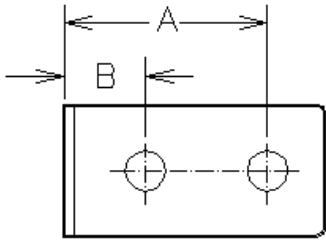
MATERIAL THICKNESS: 1.2mm

A = 25mm B = 10mm C = 32mm D = 32mm E = 16mm F = 15mm

4 Holes 5mmØ

PART NUMBER	DESCRIPTION	TYPE OF FINISH
L32BRK-01-1.2-SC	L32 Bracket	Self Colour
L32BRK-01-1.2-GV	L32 Bracket	Galvanised
L32BRK-01-1.2-ZN	L32 Bracket	Zinc Plated
	Other finishes available upon request	

L50 Bracket



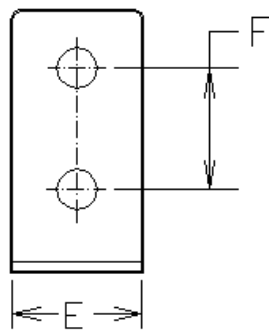
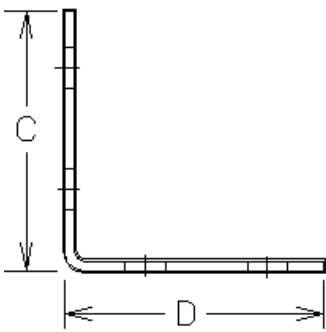
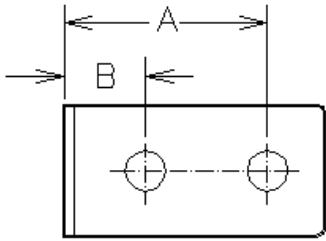
MATERIAL THICKNESS: 1.2mm

A = 30mm B = 10mm C = 50mm D = 50mm E = 16mm F = 20mm

4 Holes 5mmØ

PART NUMBER	DESCRIPTION	TYPE OF FINISH
L50BRK -01-1.2-SC	L50 Bracket	Self Colour
L50BRK -01-1.2-GV	L50 Bracket	Galvanised
L50BRK -01-1.2-ZN	L50 Bracket	Zinc Plated
	Other finishes available upon request	

L65 Bracket



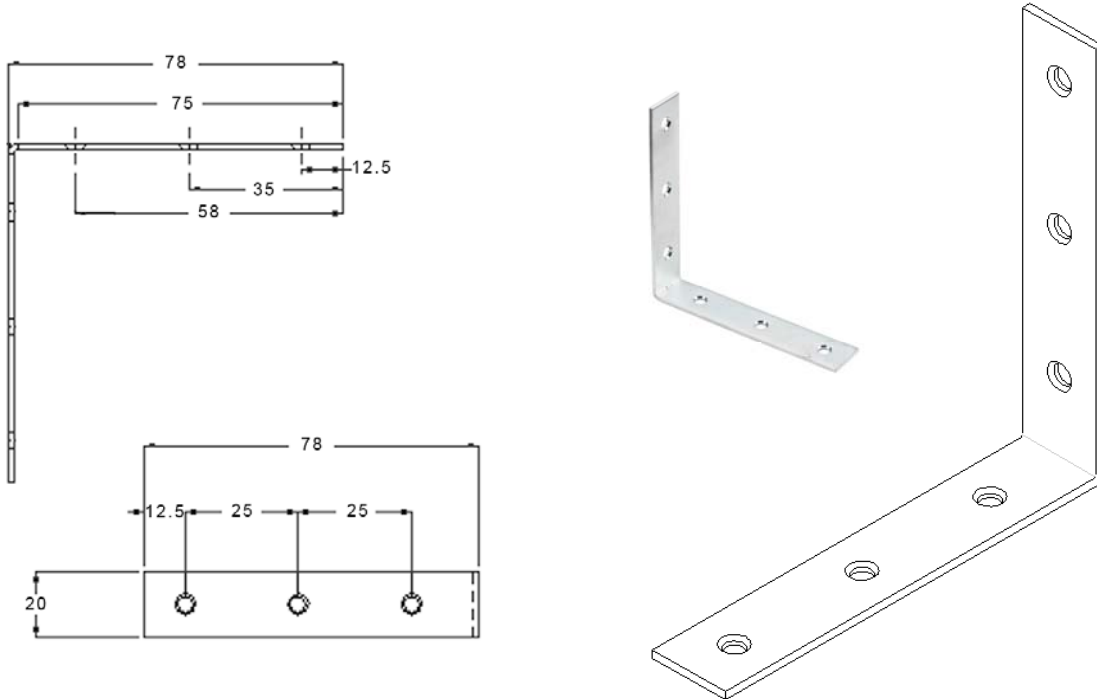
MATERIAL THICKNESS: 1.2mm

A = 55mm B = 20mm C = 65mm D = 65mm E = 16mm F = 35mm

4 Holes 5mmØ

PART NUMBER	DESCRIPTION	TYPE OF FINISH
L65BRK-01-1.2-SC	L65 Bracket	Self Colour
L65BRK-01-1.2-GV	L65 Bracket	Galvanised
L65BRK-01-1.2-ZN	L65 Bracket	Zinc Plated
	Other finishes available upon request	

L75 Bracket

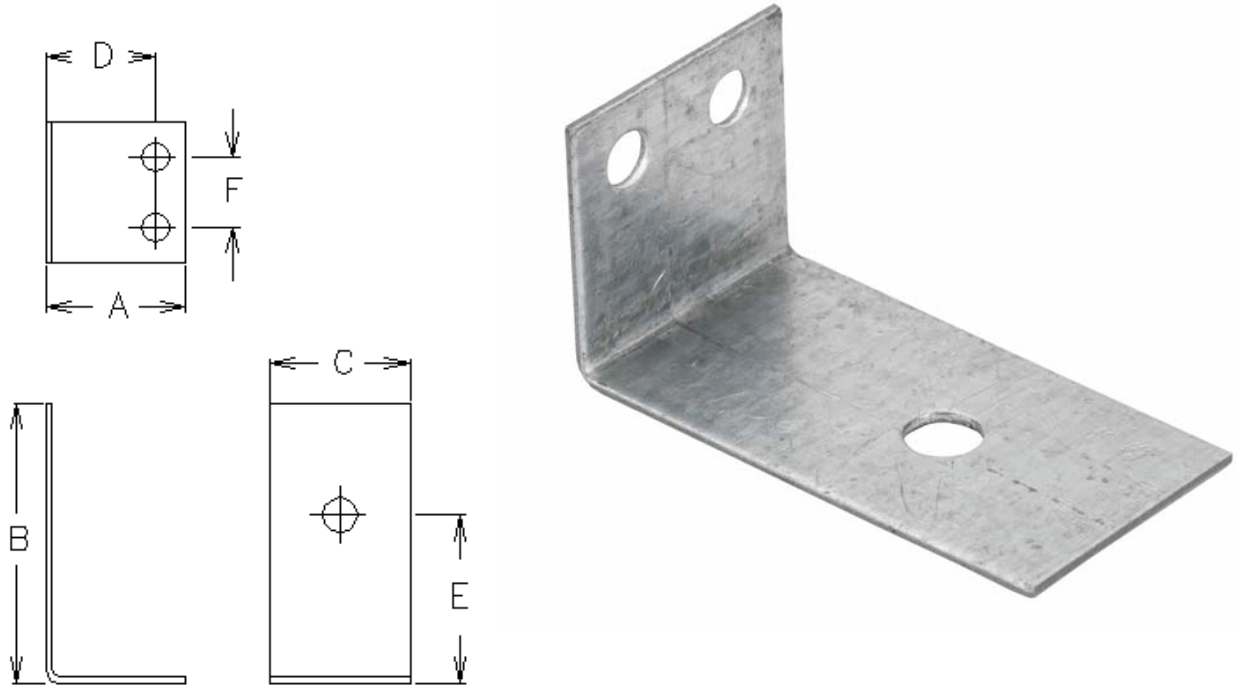


MATERIAL THICKNESS: 1.2mm

6 Holes 5mmØ

PART NUMBER	DESCRIPTION	TYPE OF FINISH
L75BRK -01-1.2-SC	L75 Bracket	Self Colour
L75BRK -01-1.2-GV	L75 Bracket	Galvanised
L75BRK -01-1.2-ZN	L75 Bracket	Zinc Plated
	Other finishes available upon request	

L Bracket



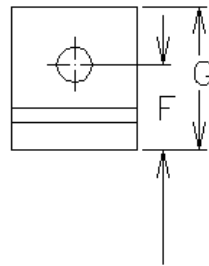
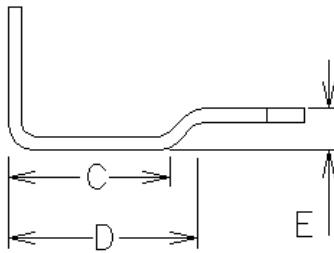
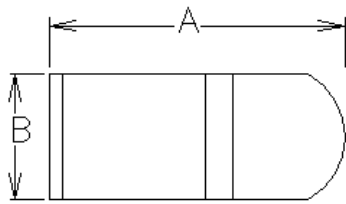
MATERIAL THICKNESS: 1.2mm

A = 25mm B = 50mm C = 25.4mm D = 19.5mm E = 30mm F = 12.5mm
 2 Holes \varnothing 5mm 1 Hole \varnothing 6.5mm

PART NUMBER	DESCRIPTION	TYPE OF FINISH
LBRK-01-1.2-SC	L Bracket	Self Colour
LBRK-01-1.2-GV	L Bracket	Galvanised
LBRK-01-1.2-ZN	L Bracket	Zinc Plated
	Other finishes available upon request	

FD PRODUCTS

DOOR STOP BRACKET



MATERIAL THICKNESS: 1.5mm

A = 33mm B = 14mm C = 18mm D = 20mm E = 4.5mm

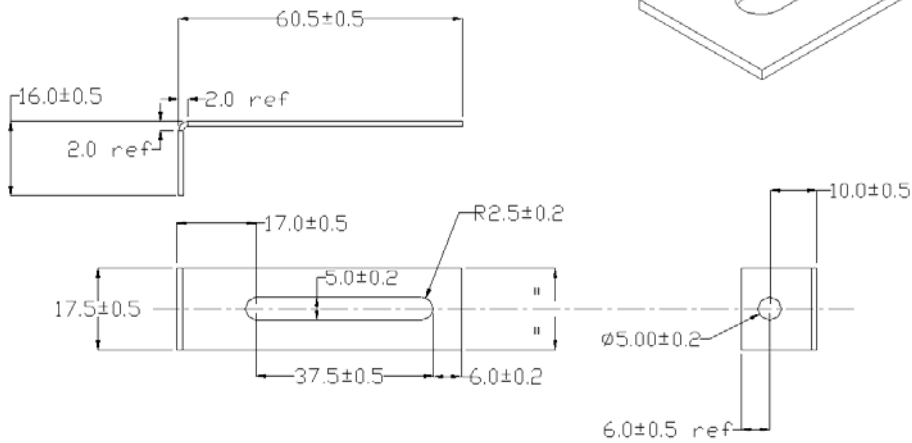
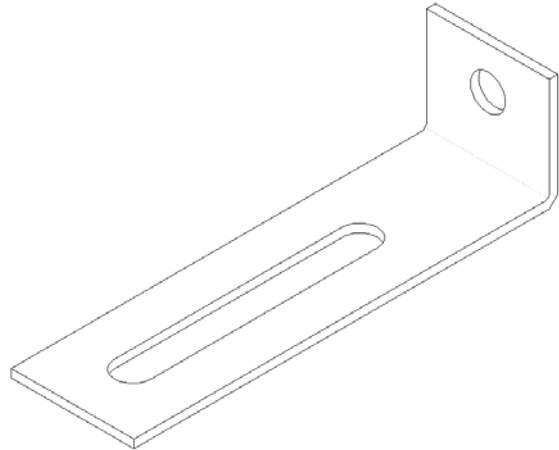
F = 9.5mm G = 16mm

Hole Size = 4mm \varnothing

PART NUMBER	DESCRIPTION	TYPE OF FINISH
MDS-01-1.5-SC	Door Stop Bracket	Self Coloured
MDS-01-1.5-ZN	Door Stop Bracket	Zinc Plated
MDS-01-1.5-NK	Door Stop Bracket	Nickel Plated
	Other finishes available upon request	

FD PRODUCTS

LONG SLOTTED BRACKET

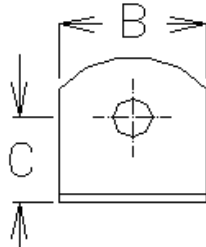
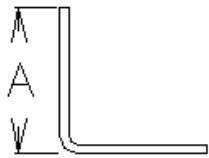
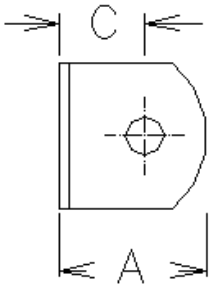


MATERIAL THICKNESS: 1.2mm

PART NUMBER	DESCRIPTION	TYPE OF FINISH
SLTBRK -01-NK	Long Slotted Bracket	Nickel Plated
SLTBRK -01-ZN	Long Slotted Bracket	Zinc Plated
SLTBRK -01-SC	Long Slotted Bracket	Self Colour
	Other finishes available upon request	

FD PRODUCTS

SMALL RIGHT ANGLE BRACKET



MATERIAL THICKNESS: 1.2mm or 1.6mm

A = 19mm

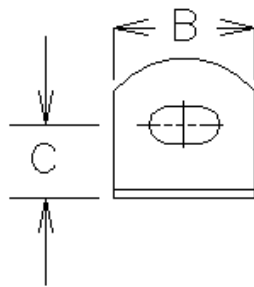
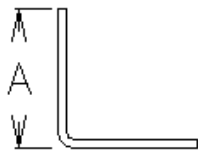
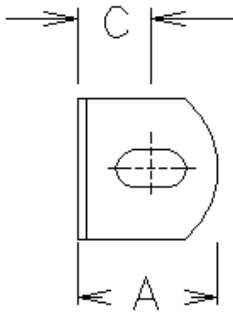
B = 19mm

C = 11mm

2 Holes \varnothing 5mm

PART NUMBER	DESCRIPTION	TYPE OF FINISH
SRBRK-01-1.2-SC	Small Right Angle Bracket 1.2mm	Self Colour
SRBRK-01-1.2-ZN	Small Right Angle Bracket 1.2mm	Zinc Plated
SRBRK-01-1.6-SC	Small Right Angle Bracket 1.6mm	Self Colour
SRBRK-01-1.6-ZN	Small Right Angle Bracket 1.6mm	Zinc Plated
	Other finishes available upon request	

SMALL SLOTTED BRACKET



MATERIAL THICKNESS: 1.2mm

A = 19mm

B = 19mm

C = 10mm

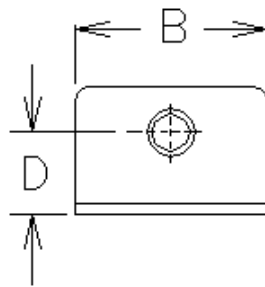
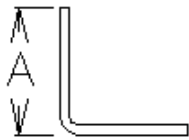
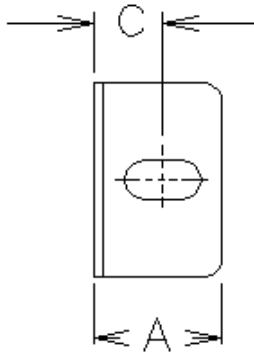
2 Slots = 9.5 x 5mm

PART NUMBER	DESCRIPTION	TYPE OF FINISH
SSBRK-01-1.2-SC	Slotted Bracket	Self Colour
SSBRK-01-1.2-ZN	Slotted Bracket	Zinc Plated
	Other finishes available upon request	



PRODUCTS

SMALL SLOTTED DOOR CONNECTOR



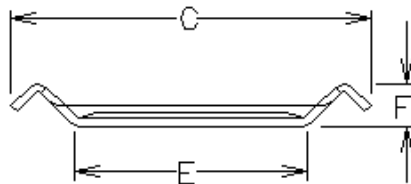
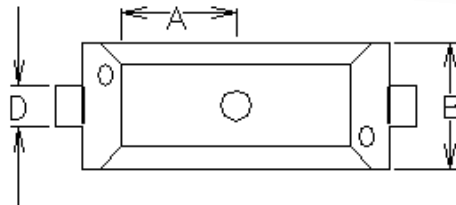
MATERIAL THICKNESS: 1.2mm

A = 9mm B = 36mm

2 Slots = 9.5mm x 5mm

PART NUMBER	DESCRIPTION	TYPE OF FINISH
SSDCON-01-1.2-SC	Slotted Door Connector	Self Coloured
SSDCON-01-1.2-ZN	Slotted Door Connector	Zinc Plated
	Other finishes available upon request	

TABLE LEG BRACKET



MATERIAL THICKNESS: 2mm

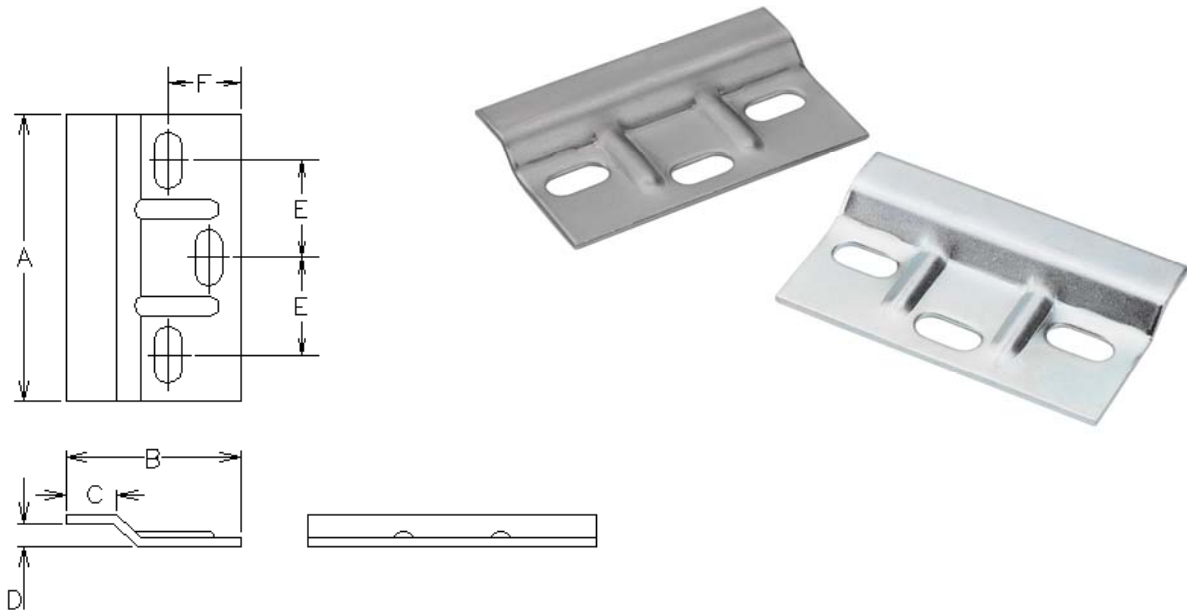
A = 28mm B = 31mm C = 89mm D = 10mm E = 56mm F = 10.5mm

2 Holes 5mm 1 Hole 7.5mm

PART NUMBER	DESCRIPTION	TYPE OF FINISH
TBRK-01-2.0-SC	Table Leg Bracket	Self Colour
	Other finishes available upon request	

FD PRODUCTS

WALL BRACKET



MATERIAL THICKNESS: 1.6mm or 2.0mm

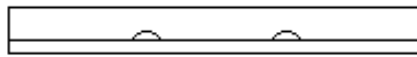
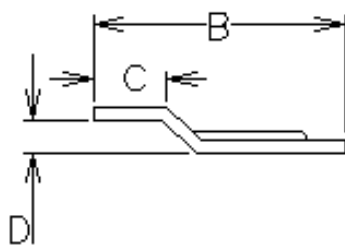
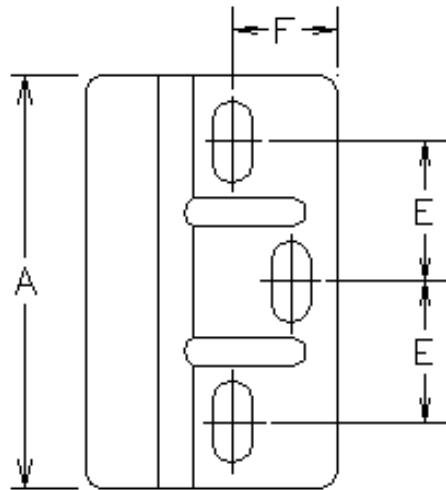
A = 63mm B = 39mm C = 9.5mm D = 5mm E = 21.5mm F = 16mm

3 x Slot Size 6mm x 12mm

PART NUMBER	DESCRIPTION	TYPE OF FINISH
WBRK-01-1.6-SC	Wall Bracket 1.6mm	Self Colour
WBRK-01-1.6-ZN	Wall Bracket 1.6mm	Zinc Plated
WBRK-01-2.0-SC	Wall Bracket 2.0mm	Self Colour
WBRK-01-2.0-ZN	Wall Bracket 2.0mm	Zinc Plated
	Other finishes available upon request	

FD PRODUCTS

WALL BRACKET – ROUNDER CORNERS



MATERIAL THICKNESS: 2mm

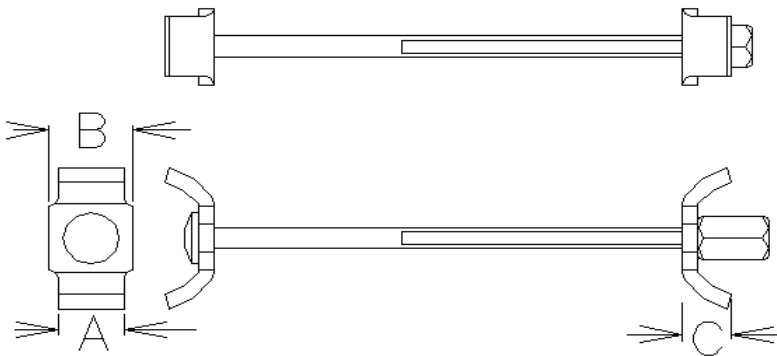
A = 63mm B = 39mm C = 9.5mm D = 5mm E = 21.5mm F = 16mm

3 Slots = 6mm x 12mm

PART NUMBER	DESCRIPTION	TYPE OF FINISH
WBRK-03-2.0-SC	Wall Bracket for 2mm Rounded Corners	Self Colour
WBRK-03-2.0-ZN	Wall Bracket for 2mm Rounded Corners	Zinc Plated
	Other finishes available upon request	

FD PRODUCTS

WORKTOP CONNECTOR BOLTS



MATERIAL THICKNESS: 6mm

A = 14mm B = 18mm C = 9mm

PART NUMBER	DESCRIPTION	TYPE OF FINISH
WTC-03-150-LN	Worktop Connector 150mm with 15mm nut	Zinc Plated
WTC-03-190-LN	Worktop Connector 190mm with 15mm nut	Zinc Plated
	Other finishes available upon request	